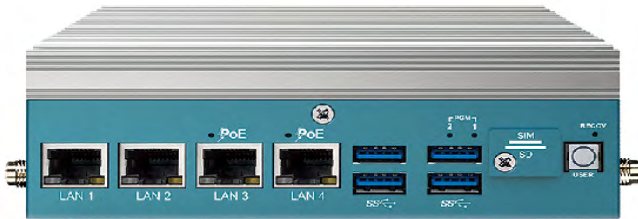




Powered by **NEPI**



## Hardware Features

- NVIDIA Xavier NX GPU Processor
- 4x Gigabit Ethernet, 1x WiFi
- 4x USB 3.0
- UARTs, GPIO, I2C, CAN, SD Card
- 2 TB Solid State Storage
- Heat Sink with Fan

## NEPI Software Features

- Integrated Sensor, Robotic, and Communications Drivers
- AI and Automation Applications
- Local Browser-Based User Interfaces
- ROS and Web API Interfaces

## S2X Smart System Platforms

Numurus partners with leading GPU and AI processor providers to offer its line of S2X smart system platforms, each pre-installed with Numurus' NEPI Engine software for edge AI and automation applications. Learn more about Numurus' S2X open-hardware solutions and NEPI Engine software at: [www.numurus.com](http://www.numurus.com)

### Hardware

GPU	NVIDIA - Xavier NX
Carrier Board + Housing	Vecow EAC-2000
Internal Storage	2 TB M.2 Card

### Communications

Ethernet Comms	4x Gigabit Ethernet + WiFi
USB Interfaces	4x USB 3.0
Misc I/O	2x RS232/485, GPIO, I2C, CAN, Nano Sim Card

### Electrical

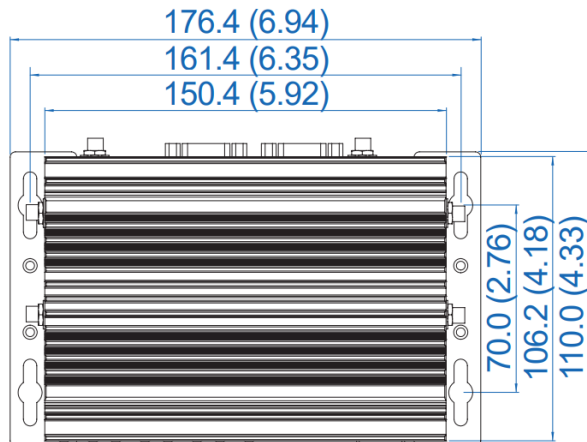
Input Voltage Range	9-50 VDC
Power Estimates	10 W - 15 W

### Mechanical

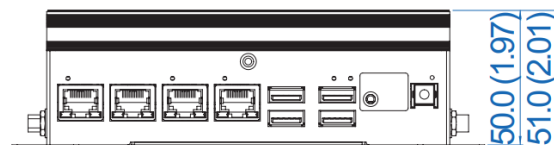
Dimensions	176mm x 110mm x 51mm
------------	----------------------

### Software

Ubuntu	20.04
NVIDIA Jetpack	5.0.2
NEPI Engine Software	Latest release version



Units: mm (inch)



Additional details are available from manufacture's website:

[https://www.vecow.com/dispPageBox/vecow/VecowCT.aspx?ddsPageID=PRODUCTDTL\\_EN&dbid=4111174219](https://www.vecow.com/dispPageBox/vecow/VecowCT.aspx?ddsPageID=PRODUCTDTL_EN&dbid=4111174219)