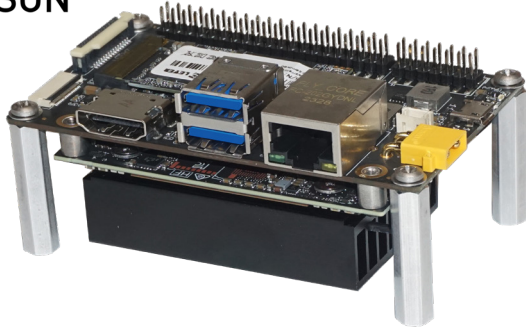




**NVIDIA**  
JETSON™

| Powered by **NEPI**



## S2X Smart System Platforms

Numurus partners with leading GPU and AI processor providers to offer its line of S2X smart system platforms, each pre-installed with Numurus' NEPI Engine software for edge AI and automation applications. Learn more about Numurus' S2X open-hardware solutions and NEPI Engine software at: [www.numurus.com](http://www.numurus.com)

### Hardware

GPU	NVIDIA - Jetson Orin NX
Carrier Board	Seeed Studio - A603
Internal Storage	2 TB M.2 Card

### Communications

Ethernet Comms	1x Gigabit Ethernet, M2 WiFi Board
USB Interfaces	2x USB 3.0 Type-C, 1x USB 3.0 Micro
Misc I/O	UARTs, GPIO, I2C, CAN, HDMI

## Hardware Features

- NVIDIA Orin NX GPU Processor
- 1x Gigabit Ethernet, 1x WiFi
- 2x USB 3.0
- UARTs, GPIO, I2C, CAN, HDMI
- 1 TB Solid State Storage
- Heat Sink with Fan

## NEPI Software Features

- Integrated Sensor, Robotic, and Communications Drivers
- AI and Automation Applications
- Local Browser-Based User Interfaces
- ROS and Web API Interfaces

### Electrical

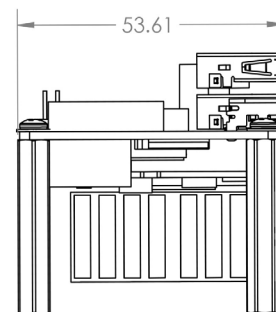
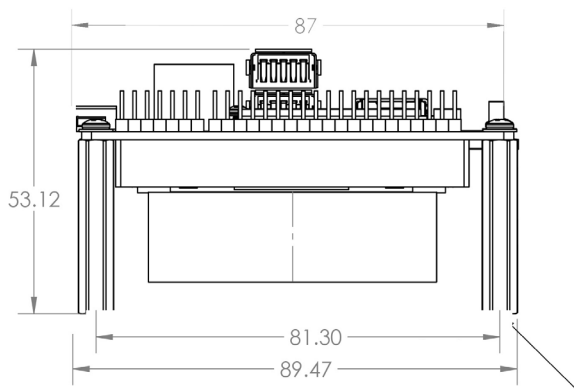
Input Voltage Range	9-19 VDC
Power Estimates	10 W - 25 W

### Mechanical

Dimensions	87mm x 54mm x 54mm
------------	--------------------

### Software

Ubuntu	20.04
NVIDIA Jetpack	5.1.X
NEPI Engine Software	Latest release version



Units: mm

Additional details are available from manufacture's website:

<https://www.seeedstudio.com/A603-Carrier-Board-for-Jetson-Orin-NX-Nano-p-5635.html>