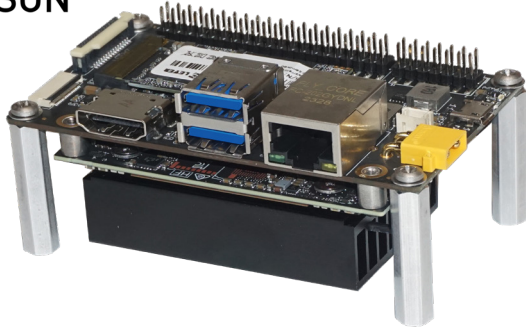




|Powered by **NEPI**



## Hardware Features

- NVIDIA Jetson Nano GPU Processor
- 1x Gigabit Ethernet, 1x WiFi
- 2x USB 3.0, UARTs, GPIO, I2C, CAN, HDMI
- Solid State Storage
- Heat Sink with Fan

## NEPI Open-Source Software

- Plug and Play Hardware Drivers
- Data Logging System
- AI Detection & Targeting Apps
- PT and Robotic Automation Apps
- Robot Operating System (ROS) API
- Browser-Based UI System

## S2X Smart System Platforms

Numurus partners with leading GPU and AI processor providers to offer its line of S2X smart system platforms, each pre-installed with Numurus' NEPI Engine software for edge AI and automation applications. Learn more about Numurus' S2X open-hardware solutions and NEPI Engine software at: [www.numurus.com](http://www.numurus.com)

### Hardware

GPU	NVIDIA - Jetson Nano
Carrier Board	Seeed Studio - A203
Internal Storage	1 TB M.2 Card (2 TB Upgrade Option)

### Communications

Ethernet Comms	1x Gigabit Ethernet, M2 WiFi Board
USB Interfaces	2x USB 3.0 Type-C, 1x USB 3.0 Micro
Misc I/O	UARTs, GPIO, I2C, CAN, HDMI

### Electrical

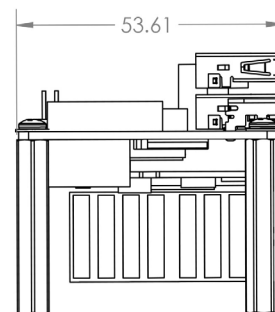
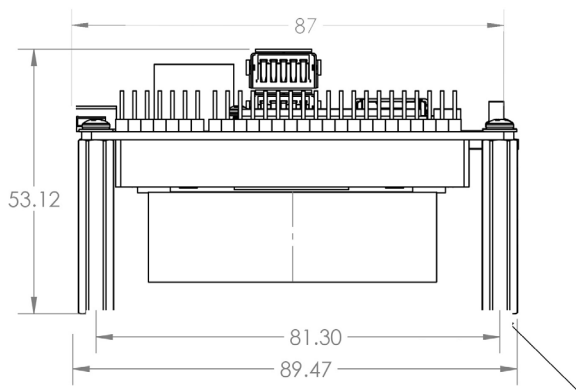
Input Voltage Range	9-19 VDC
Power Estimates	7 W - 15 W

### Mechanical

Dimensions	87mm x 54mm x 54mm
------------	--------------------

### Software

Ubuntu	20.04
NVIDIA Jetpack	5.1.X
NEPI Engine Software	Latest release version



Units: mm

Additional details are available from manufacture's website:

<https://www.seeedstudio.com/A203-Carrier-Board-for-Jetson-Nano-Xavier-NX-V2-p-5214.html>