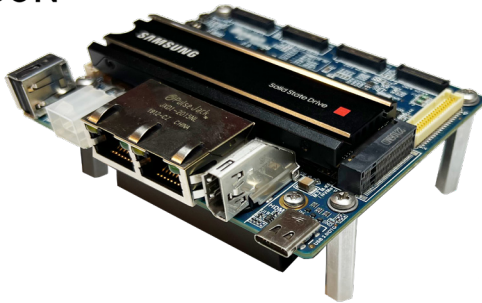




Powered by **NEPI**



## S2X Smart System Platforms

Numurus partners with leading GPU and AI processor providers to offer its line of S2X smart system platforms, each pre-installed with Numurus' NEPI Engine software for edge AI and automation applications. Learn more about Numurus' S2X open-hardware solutions and NEPI Engine software at: [www.numurus.com](http://www.numurus.com)

## Hardware Features

- NVIDIA Xavier NX GPU Processor
- 2x Gigabit Ethernet, 1x WiFi
- 1x USB 2.0 and 1x USB 3.1
- UARTs, GPIO, I2C, CAN, and HDMI
- 1 TB Solid State Storage
- Heat Sink with Fan

## NEPI Software Features

- Integrated Sensor, Robotic, and Communications Drivers
- AI and Automation Applications
- Local Browser-Based User Interfaces
- ROS and Web API Interfaces

### Hardware

GPU	NVIDIA Jetson Xavier NX
Carrier Board	Connect Tech - Boson
Internal Storage	1 TB M.2 Card (2 TB Upgrade Option)

### Communications

Ethernet Comms	2x Gigabit Ethernet, 1x WiFi M2 Board
USB Interfaces	1x USB 2.0 and 1x USB 3.1
Misc I/O	3xUARTs, 8xGPIO, 2xI2C, 1xCAN, 2xSPI, 1xHDMI

### Electrical

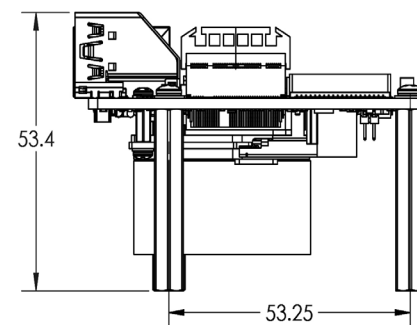
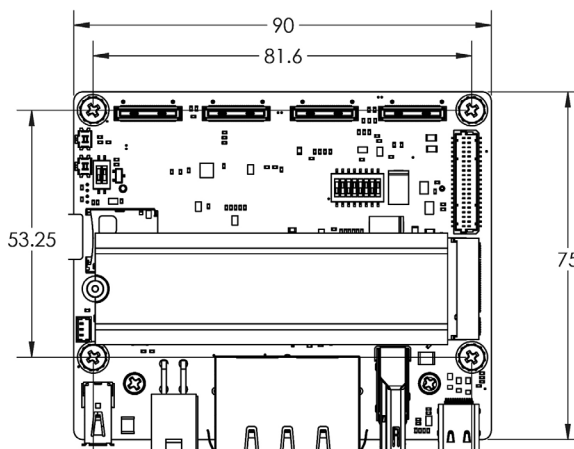
Input Voltage Range	9-36 VDC
Power Estimates	10 W

### Mechanical

Dimensions	90mm x 75mm x 54mm
------------	--------------------

### Software

Ubuntu	20.04
NVIDIA Jetpack	5.0.2
NEPI Engine Software	2.1.1



Units: mm

Additional details are available from manufacture's website:

<https://connecttech.com/product/boson-for-framos-carrier-board-for-nvidia-jetson-xavier-nx/>